

# YLCD-YLHD

## Air cooled chiller / heat pump

YLCD-YLHD 25 to 150

A complete range from 25 kW up to 150 kW



Available  
during 2011



Indoor water terminals: see page 86

### Features

- Centrifugal or radial fans
- Scroll compressor
- Vertical and horizontal discharge
- Integrated Hydro kit (P versions)
- LAK (-18°C) standard
- Flow switch standard

### Options / Accessories

- Coated condenser fins (blue fin)
- Antivibration mounting
- Remote control / Remote terminal
- BMS communication

# Air cooled chiller & heat pump

## YLCD-YLHD 25 to 150



### Technical features (Preliminary data)

T Three phases supply C/P Hydro Pack H Heat pump

Models		YLCD / YLHD						
		25 TC	40 T-TP	70 T-TP	100 T-TP	120 T-TP	150 T-TP	
Performance	Cooling capacity c/o units (1)	kW	25	40	70	100	120	150
	Other performance data		Contact Johnson Controls					
	Cooling capacity h/p units (1)	kW	25	40	70	100	120	150
	Heating capacity h/p units (1)	kW	25	40	70	100	120	150
	Other performance data		Contact Johnson Controls					
Compressor	Type		Scroll					
	Quantity		1	2	2	4	4	4
Air side heat exchanger	Fans quantity		1	2	2	4	4	4
	Air flow (50 Pa)	m <sup>3</sup> /h	6 500	11 000	14 500	18 000	20 000	24 000
	Working ambient temp. cool. / heat. mode		(4) (-18°C) ~ 46°C / -10°C ~ 20°C			-18°C ~ 46°C / -10°C ~ 20°C		
Water side heat exchanger	Type		Single plate heat exchanger			Dual plate heat exchanger		
	Unit water volume	Litres	3,2	71	71	168	170	179
	Pump Type		Multistage horizontal pump					
	Nominal water flow	l/h	4 500	6 900	12 000	16 860	20 470	25 970
	Available pressure (1) (2)	kPa	182	105	145	190	202	186
	Pressure drop (1) (3)	kPa	-	75	56	60	32	28
	Working range water leaving temperature cooling / heating (5)		-5°C ~ 15°C / 30°C ~ 50°C					
Dimensions & Weight	Water connections	inch	1-1/4"	2"		2-1/2"		
	Height	mm	1 526	1 794	1 794	2 460	2 460	2 480
	Width	mm	1 740	2 659	2 659	3 466	3 416	3 770
	Depth	mm	785	897	897	1 101	1 101	1 101
	Weight without pack / pack c/o	kg	- / 390	730 / 770	740 / 780	1 264 / 1 360	1 264 / 1 360	1 680 / 1 776
	Weight without pack / pack h/p	kg	- / 400	750 / 790	760 / 800	1 284 / 1 380	1 284 / 1 380	1 700 / 1 796
El. supply	Voltage / Phases / Frequency	V/ph/hz	400 / 3 / 50 + N + E					

YLCD: Cooling only units models. YLHD: Air to water heat pump models.

(1) net values at Eurovent nominal conditions (2) version P with hydro kit with filter (3) version without hydro kit (4) -18°C with LAK option (5) below 6°C with glycol  
Nominal conditions: Cooling capacities in kW given for 7°C water leaving temperature  $\Delta t$  5°C and 35°C ambient temperature  
Heating capacities in kW given for 45°C water leaving temperature and 7°C ambient temperature

### Compatibility table / Codes

Models	-	40 T	70 T	100 T	120 T	150 T
Cooling only unit YLCD	-	S668594083	S668597083	S668591083	S668591283	S668591583
Heat pump unit YLHD	-	S668574083	S668577083	S668571083	S668571283	S668571583
Models	25 TC	40 TP	70 TP	100 TP	120 TP	150 TP
Cooling only unit YLCD	S668592580	S668594080	S668597080	S668591080	S668591280	S668591580
Heat pump unit YLHD	S668572580	S668574080	S668577080	S668571080	S668571280	S668571580

Use this unit code when a factory fitted option is NOT required

#### Accessories (Supplied loose)

AVM mounting	S613029002	S613028180	S613021580
Flow switch	S611992021		
Remote control	S613802011		
Remote terminal	S613802231		-
Cable for remote connection of the terminal	-		S613802241
B.M.S. Communication	S613802041		S613802051

Models	25 TC	40 T-TP	70 T-TP	100 T-TP	120 T-TP	150 T-TP
Cooling only unit YLCD	Contact Johnson Controls					
Heat pump unit YLHD	Contact Johnson Controls					

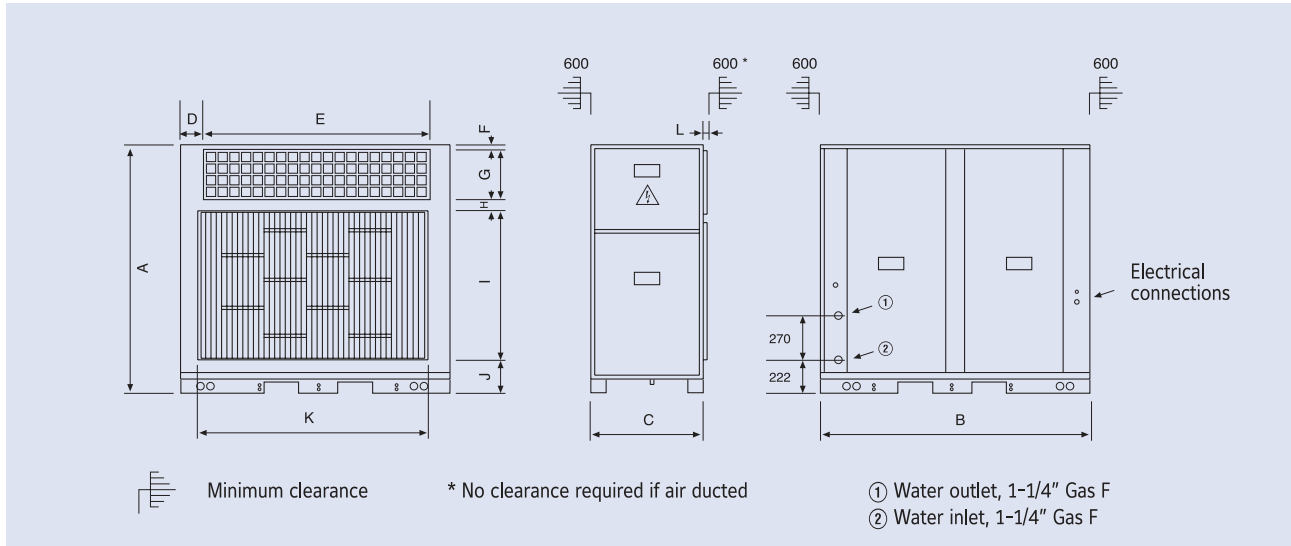
Use this unit code when a factory fitted option is required

#### Options (Factory fitted)

Low noise	NA	Contact Johnson Controls				
Dual pump	NA	Contact Johnson Controls				
Coated condenser fins (blue fin)	Contact Johnson Controls					
Copper/copper condenser	Contact Johnson Controls					

# Dimensions, hydraulic connections and space requirements

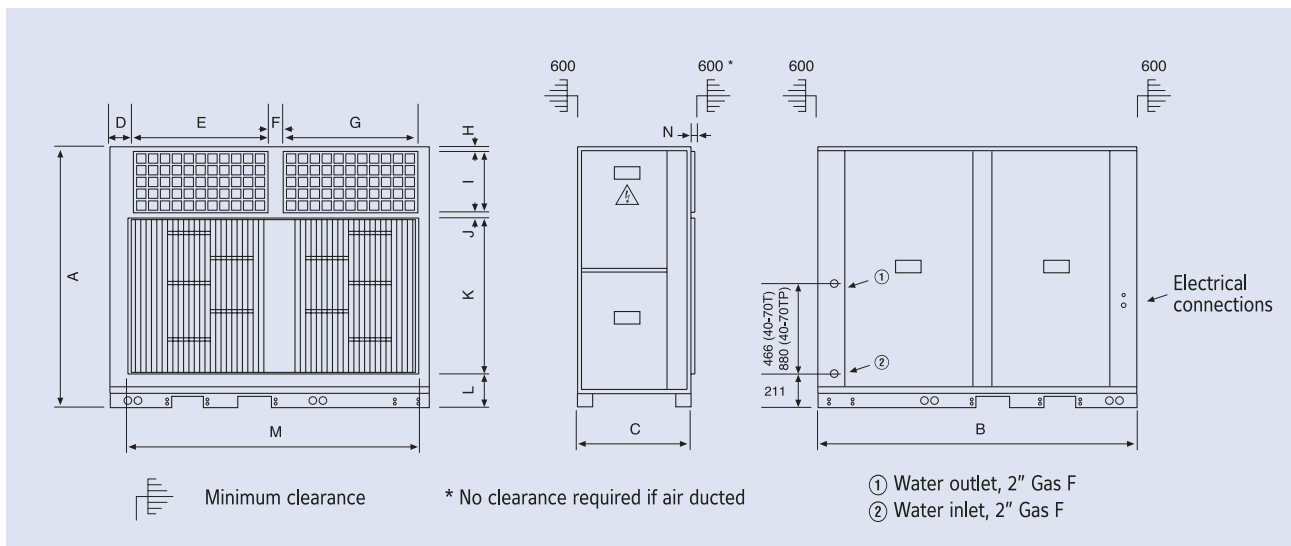
## YLCD / YLHD 25 TC



All dimensions in mm. Drawings not a scale.

Unit	A	B	C	D	E	F	G	H	I	J	K	L
YLDC/YLHD 25 TC	1 526	1 740	785	151	1 436	30	324	37	994	141	1 476	24

## YLCD / YLHD 40-70 T/TP



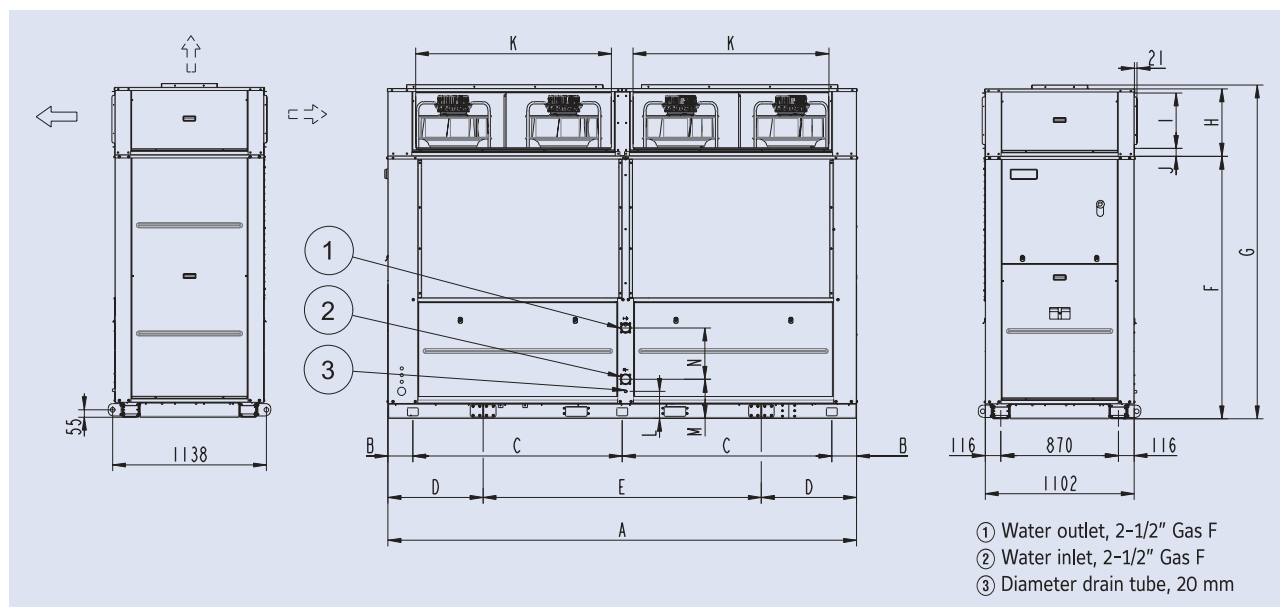
All dimensions in mm. Drawings not a scale.

Unit	A	B	C	D	E	F	G	H	I	J	K	L	M	N
YLDC/YLHD 40 T/TP	1 794	2 658	897	148	1 155	95	1 155	30	389	37	1 200	138	2 479	23
YLDC/YLHD 70 T/TP	1 794	2 658	897	148	1 155	95	1 155	30	389	37	1 200	138	2 479	23

# YLCD-YLHD 25 to 150



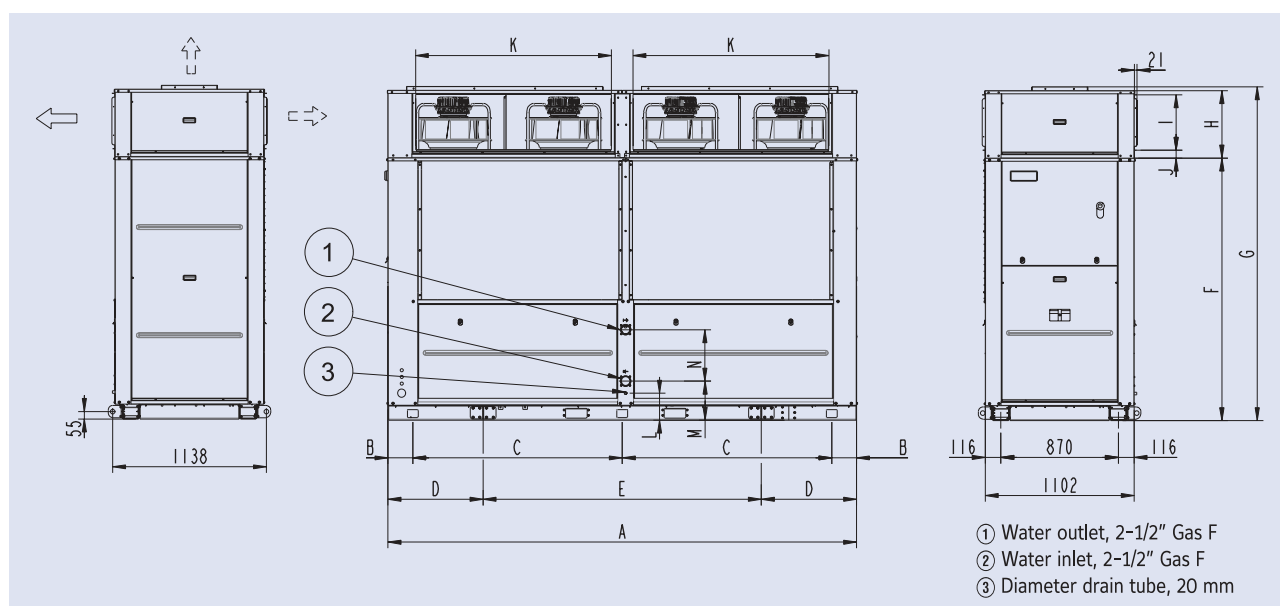
## YLCD / YLHD 100-120 T/TP



All dimensions in mm. Drawings not a scale.

Unit	A	B	C	D	E	F	G	H	I	J	K	L	M	N
YLDC/YLHD 100 T/TP	3 466	183	1 550	704	2 058	1 942	2 460	500	410	59	1 450	200	290	380
YLDC/YLHD 120 T/TP	3 416	183	1 525	604	2 208	1 942	2 460	500	418	55	1 438	200	290	380

## YLCD / YLHD 150 T/TP



All dimensions in mm. Drawings not a scale.

Unit	A	B	C	D	E	F	G	H	I	J	K	L	M	N
YLDC/YLHD 150 T/TP	3 768	254	1 630	605	2 558	1 992	2 480	470	386	55	1 617	410	210	458